

Bake Xpress Dimensions & Clearances

Specifications

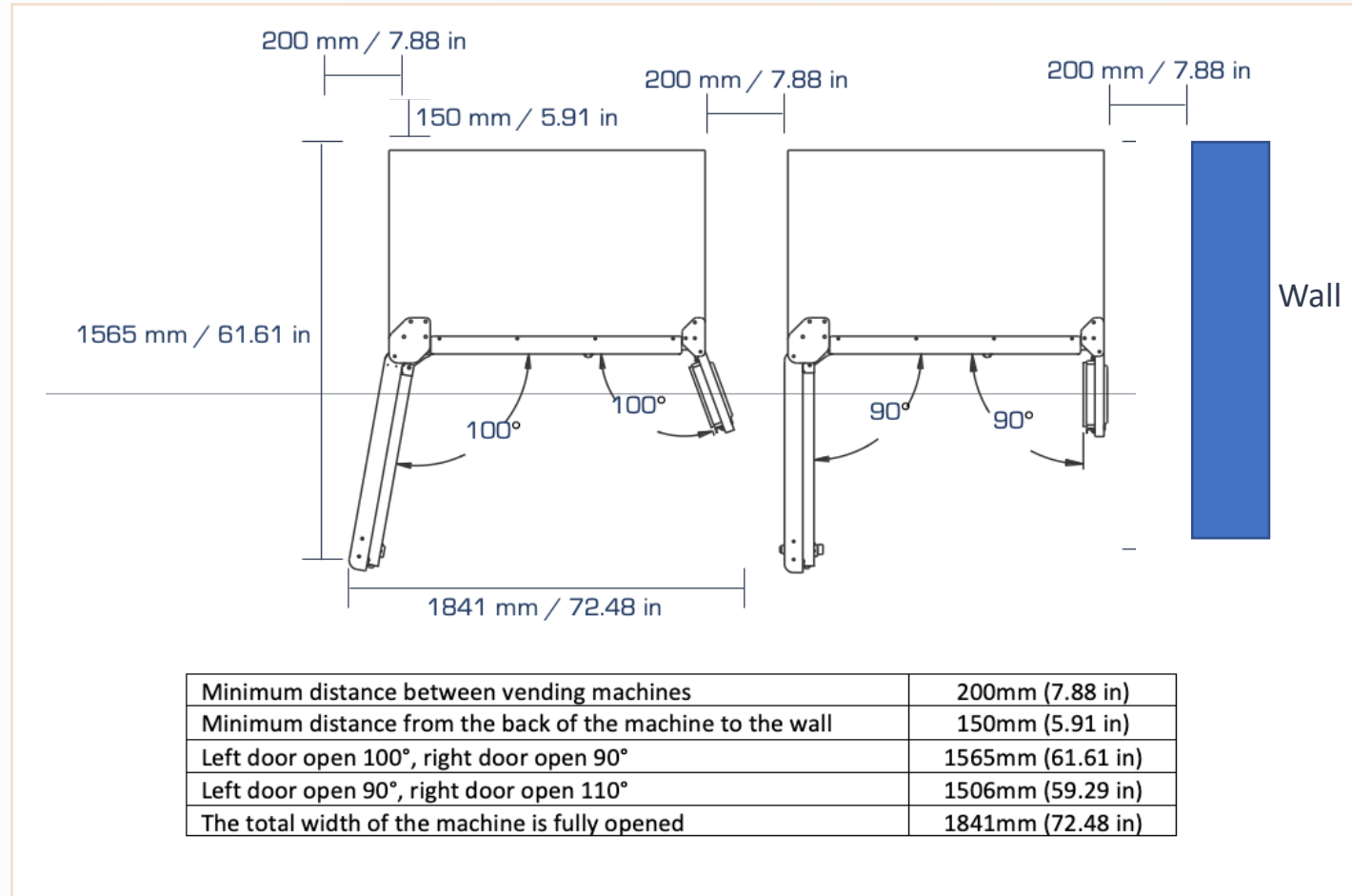
General

Machine name	Bake Xpress
Machine model	VMC08015W2 (Gen 3)
Height	1920 mm (75.60 in)
Length	1405 mm (55.32 in)
Width	977 mm (38.47 in)
Storage spec	L = 225 mm, W = 225 mm H = 50-75 mm (adjustable)
Storage quantity	68 units at 75 mm 96 units at 50 mm
Machine weight	480 kg
H-M interface	55" LCD touch screen
Payment	Mobile pay / POS terminal
IPC	InBox310-DL00-STD
OS	Android

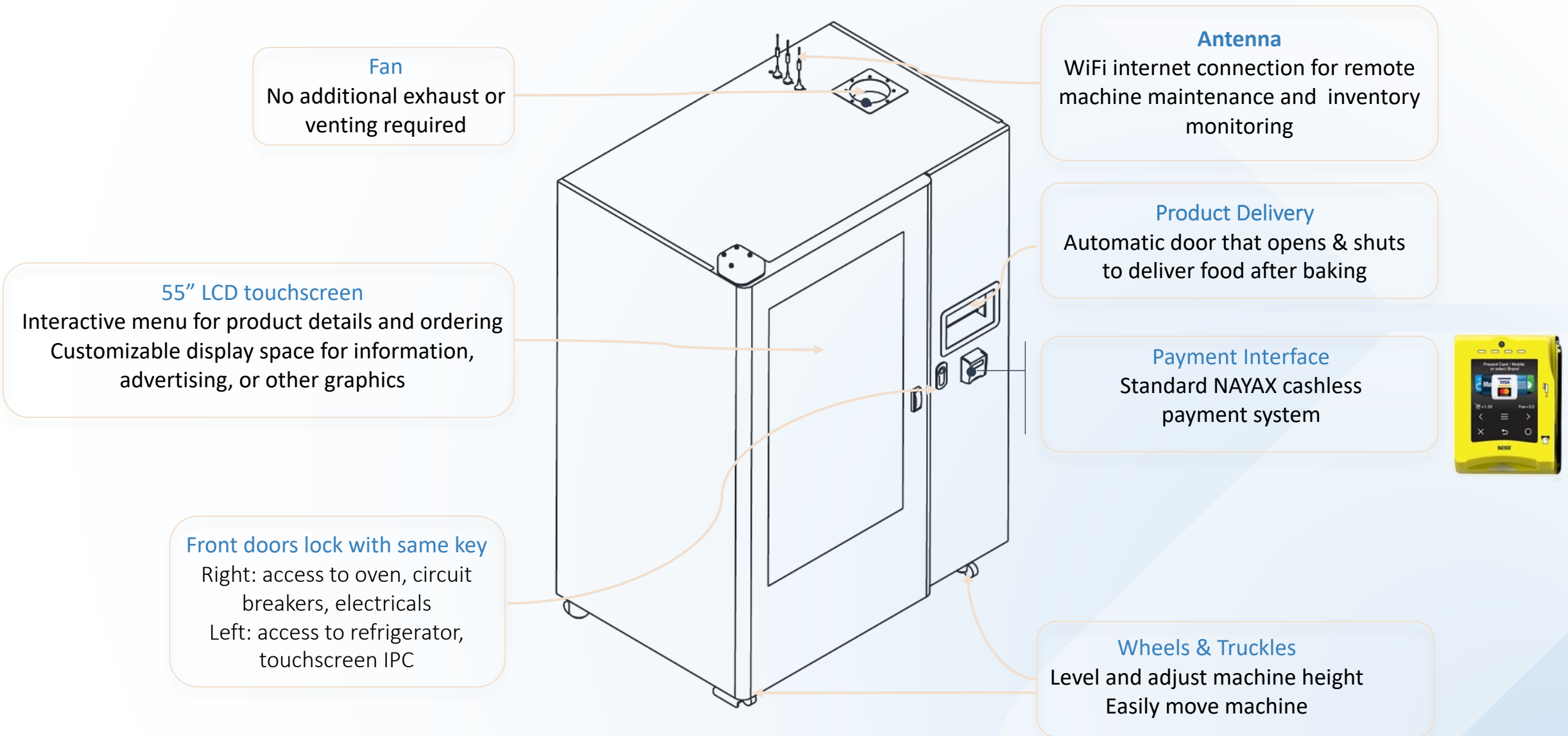
Operating Environment Requirements

Stable Network	4G, WiFi, wired network
Relative Humidity	≤ 90%
Ambient temperature	0-40°C
Voltage	220 V 20 ±1 Hz
Leak protective switch	≥ 20A, cable ≥ 2.5mm ²
Grounding	Required
Other	Place in ventilated area
	Avoid direct sunlight
	Avoid direct exposure to rain

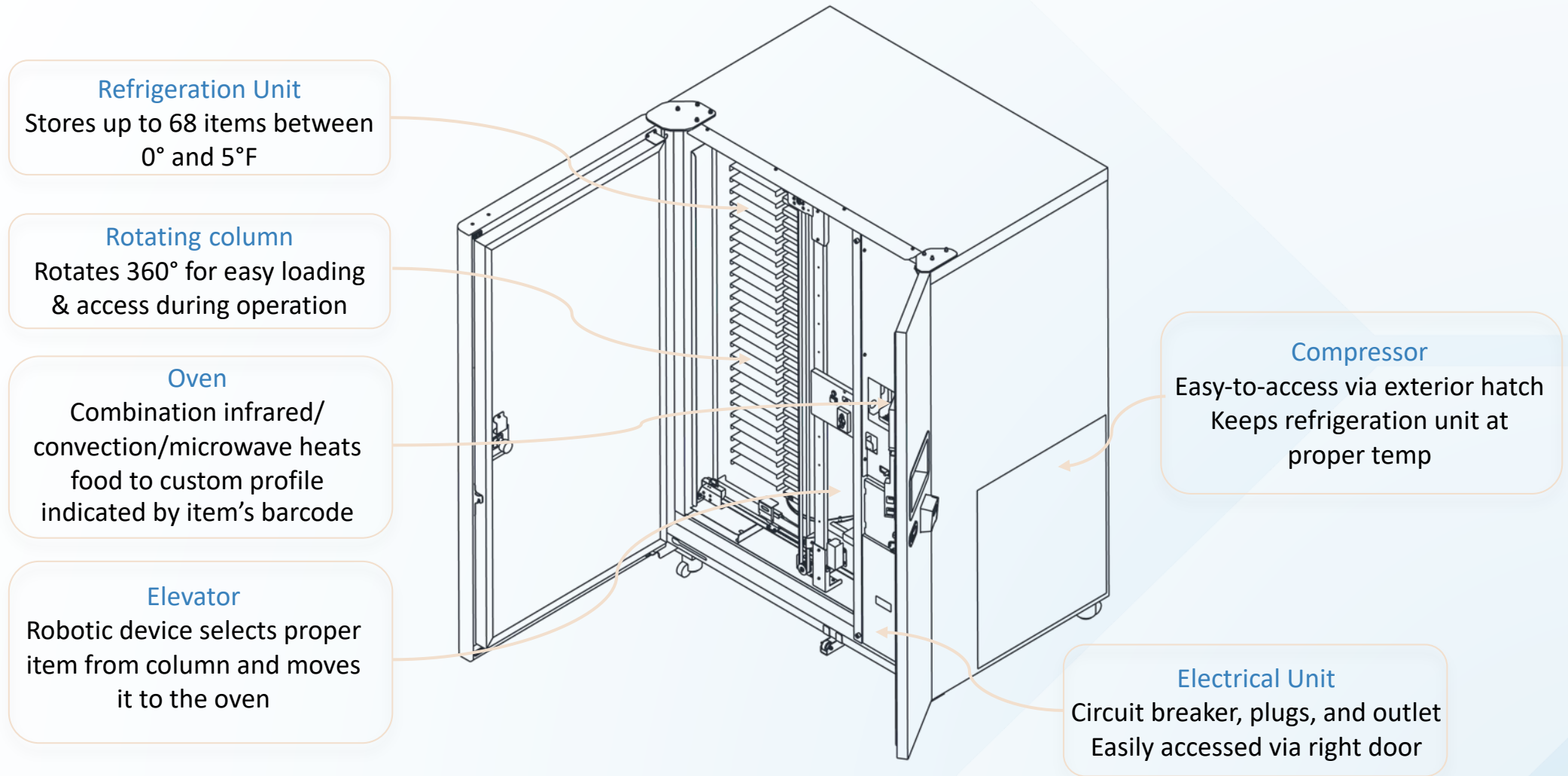
Dimensions & Clearances



Exterior



Interior



Electrical Specifications

Electrical and Operating

Input voltage	220 V – 50 Hz
Max current	20 A
Max power	4 kW
Microwave power	1.5 kW
Refrigerator temperature	0-8°C
Infrared power	1.3 kW
Baking temperature	250°C

Power Usage

Phase	Power (W)	Screen	Fridge	Oven	Microwave
1	180	On	Off	Off	Off
2	680	On	On	Off	Off
3	2000	On	On	On	Off
4	3500	On	On	On	Off

